

# HP Baghouse Collectors

Models HPW/HPT 64-320

Reliable, versatile and high performance design handles intermediate-to-high air volumes at low operating pressure drops.



160HPW8



160HPT8

- Powerflo™ Cleaning System allows a significantly higher air-to-cloth ratio, resulting in smaller overall system size.
- Dura-Life™ bag technology provides better surface loading and pulse cleaning resulting in two-to-three times longer filter bag life when changing bags due to pressure drop.
- Dura-Life bags offer 30% fewer emissions than standard polyester bags.
- Bag service from the clean-air side of collector makes filter changeout more convenient, easier and faster.
- High air inlet reduces updraft velocities by using gravity to separate heavier particles, extending bag life and lowering bag replacement and maintenance costs.
- Lower operating costs achieved through a low pressure drop.
- Space-saving design offers a flexible low profile.
- Compact design makes collector easier to ship and install, lowering freight and installation costs.

# HP Baghouse Collectors

## Operational Explanation

### All-Welded Construction

Heavy-duty ribbed panel housing construction is factory assembled for easy field installation. Heavy-duty tubesheet is 1/4-in steel plate construction.

### Positive Seal Boltsafe™ Cages

Provide electrical grounding, easy bag changeout, reduced bag sway, and an airtight seal to the tubesheet. Cages will not rise out of position once they are installed.

### Standard Rectangular Outlet

### Powerflo Cleaning System

Super-sonic nozzles' "converging/diverging" design provides an intermittent jet of powerful high volume induced air for efficient bag cleaning.

### Oval Bags

Provide more radial bag movement during the cleaning cycle, resulting in longer bag life and lower pressure drop.

### Service Railing and Kickplate (HPT only)

Standard compliance with OSHA regulations.

### High Inlet Design

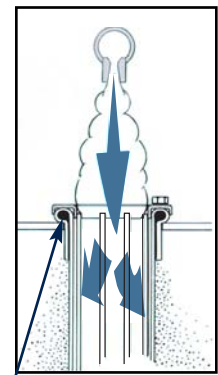
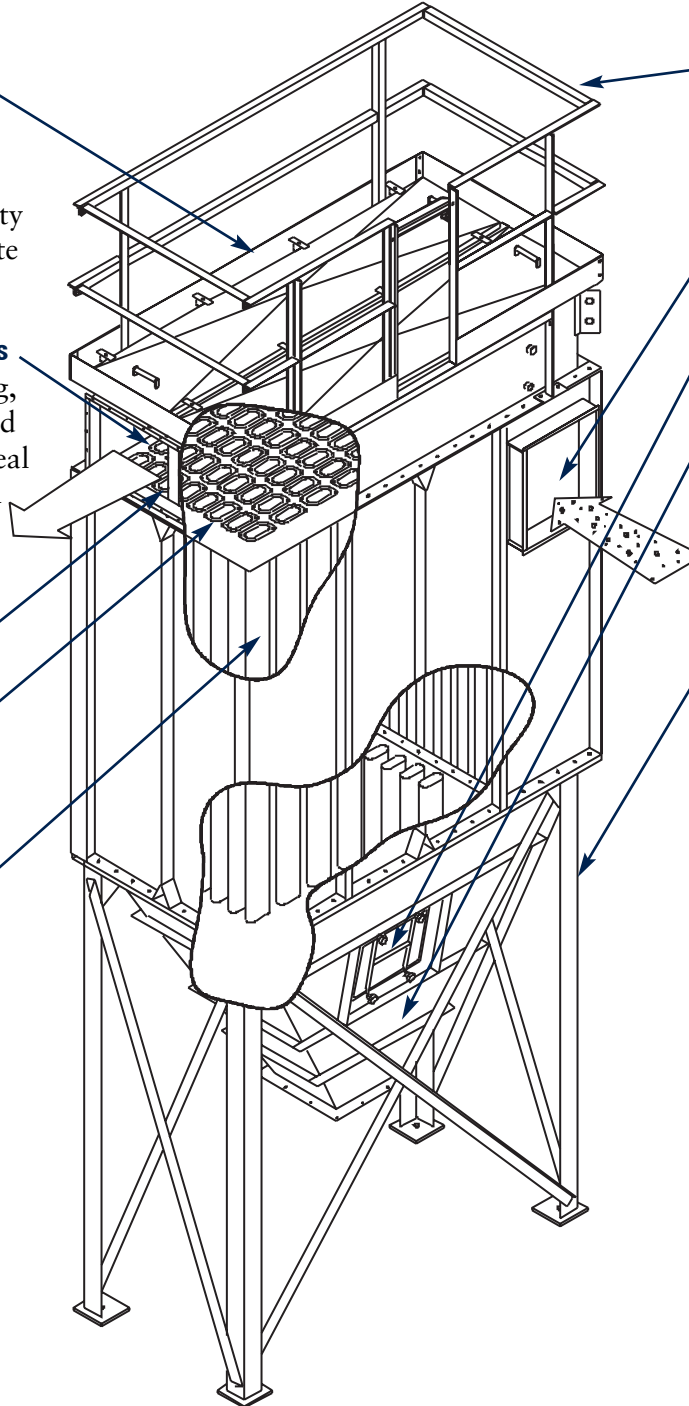
### 19 x 14-in Standard Access Panel

### Standard Single Outlet Hopper

Terminates to an 18-in square opening. Double outlet hoppers are optional.

### Standard Leg Pack

48-in clearance features structural design. Optional leg pack with 78-in clearance is available.

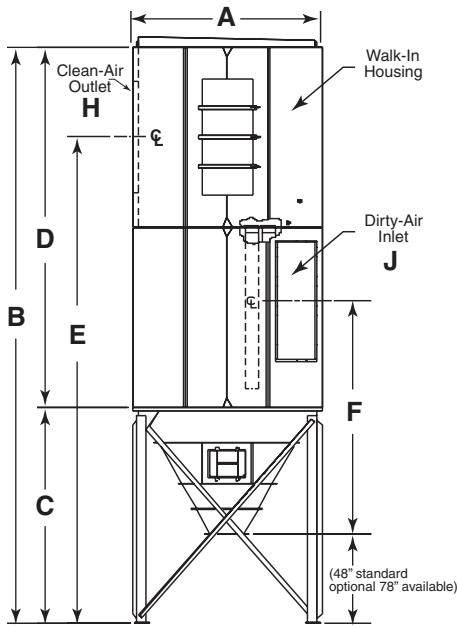


O-ring collar assures positive seal between clean and dirty air plenum.

**Easy to install—built to last.**

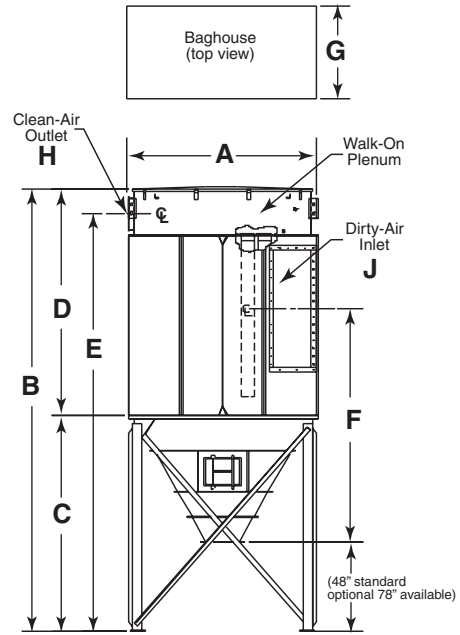
# HP Baghouse Collectors

## Dimensions & Specifications



**HPW (Walk-In)**

Walk-in plenum provides weather protection during maintenance.



**HPT (Top-Access)**

Bag maintenance is not subject to confined space rules. Model is often used in hot climates.

Model*	Nominal Airflow Range (cfm)**	Filter Area (ft <sup>2</sup> )	Dimensions (inches)									Shipping Weight (lbs)
			A	B	C	D	E	F	G	H	J	
64 HPW	6400 - 10,200	637	102.0	315.8	116.0	199.8	261.8	192.5	52.0	30 x 58	20 x 25	5538
80 HPW	8000 - 12,800	795	102.0	315.8	116.0	199.8	261.8	189.5	62.0	30 x 58	20 x 31	6259
96 HPW	9600 - 17,280	954	102.0	315.8	116.0	199.8	261.8	186.0	72.0	30 x 58	20 x 38	6712
128 HPW	12,800 - 20,500	1272	102.0	315.8	116.0	199.8	261.8	180.0	92.0	30 x 58	20 x 50	7837
160 HPW	16,000 - 25,600	1590	102.0	315.8	116.0	199.8	261.8	173.5	112.0	30 x 58	20 x 63	8714
192 HPW	19,200 - 30,700	1908	192.0	331.5	131.7	199.8	277.5	196.7	72.0	40 x 47	32 x 48	12,500
256 HPW	25,600 - 41,000	2544	192.0	331.5	131.7	199.8	277.5	188.7	92.0	40 x 63	32 x 64	14,000
320 HPW	32,000 - 51,200	3180	192.0	331.5	131.7	199.8	277.5	183.2	112.0	40 x 78	32 x 80	17,000
64 HPT	6400 - 10,200	637	102.0	280.2	116.0	123.4	224.5	192.5	52.0	39 x 15.5	20 x 25	4890
80 HPT	8000 - 12,800	795	102.0	280.2	116.0	123.4	224.5	189.5	62.0	49 x 15.5	20 x 31	5581
96 HPT	9600 - 17,280	954	102.0	280.2	116.0	123.4	224.5	186.0	72.0	59 x 15.5	20 x 38	6006
128 HPT	12,800 - 20,500	1272	102.0	280.2	116.0	123.4	224.5	180.0	92.0	79 x 15.5	20 x 50	7087
160 HPT	16,000 - 25,600	1590	102.0	280.2	116.0	123.4	224.5	173.5	112.0	99 x 15.5	20 x 63	8018
192 HPT	19,200 - 30,700	1908	192.0	255.5	131.7	123.4	240.1	196.7	72.0	59 x 15.5 (2)	32 x 48	10,300
256 HPT	25,600 - 41,000	2544	192.0	255.5	131.7	123.4	240.1	188.7	92.0	79 x 15.5 (2)	32 x 64	11,700
320 HPT	32,000 - 51,200	3180	192.0	255.5	131.7	123.4	240.1	183.2	112.0	99 x 15.5 (2)	32 x 80	14,500

\* Model number indicates quantity of 8-ft. long filter bags.

\*\* Based on clean filters.

# HP Baghouse Collectors

## Standard Features & Equipment Options

	Standard	Optional		Standard	Optional
<b>Collector Design</b>					
HPW walk-in clean air plenum with top bag removal	X				
HPT walk-on clean air plenum with top bag removal	X				
All-Welded Design - 12 Gauge Minimum	X				
Heavy-Duty 1/4-in Plate Steel Tubesheet	X				
Ladder, Cage & Service Platform (OSHA Compliant)		X			
Single Hopper Outlet 18-in. Square	X				
Hopper Access Panel	X				
Rectangular Outlet	X				
Stainless Steel Construction				X	
High Temperature Construction				X	
Volume Control Damper				X	
Fan Silencers				X	
Fan Packages				X	
<b>Bags &amp; Cages</b>					
Dura-Life Twice the Life Polyester Felt Bags	X				
Positive Boltsafe™ Hardware	X				
Variety of Bag Media Options					X
<b>Paint System</b>					
Blue Exterior Finish Coating Meets 250-Hour Salt Spray Corrosion Protection Test	X				
Hostile Environment Paint					X
Custom Colors					X
<b>Hopper Design</b>					
60° Pyramid Hoppers			X		
Double Outlet Hopper					X
Trough Hopper					X
<b>Hopper Discharge</b>					
Slide Gate					X
Rotary Valves					X
<b>Support Structure</b>					
48" Clearance Leg Pack			X		
78" Clearance Leg Pack					X
<b>Electrical Controls, Gauges and Enclosures</b>					
Magnehelic®* Gauge			X		
NEMA 4 Solenoid Valves, 50/60 Hz			X		
NEMA 4 Pulse Controls, 120 VAC, 50-60 Hz			X		
Photohelic® Gauge					X
Electrical Control Panels					X
<b>Safety Features</b>					
Explosion Vents					X
Sprinkler Taps					X
<b>Warranty</b>					
10-Year Warranty				X	

\* Magnehelic and Photohelic are registered trademarks of Dwyer Instruments, Inc.



Donaldson Company, Inc.  
Industrial Air Filtration  
P.O. Box 1299  
Minneapolis, MN 55440  
Tel 800-365-1331(USA)  
Tel 800-343-3639 (within Mexico)  
dustmktg@mail.donaldson.com  
www.donaldson.com

Significantly improve the performance of your collector with genuine Donaldson Torit replacement filters and parts.

**Visit us at [www.donaldsondynamic.com](http://www.donaldsondynamic.com)**

Information in this document is subject to change without notice.

© 1999 Donaldson Co., Inc.  
Printed in U.S.A. on recycled paper

Data Sheet HP (09/05)

