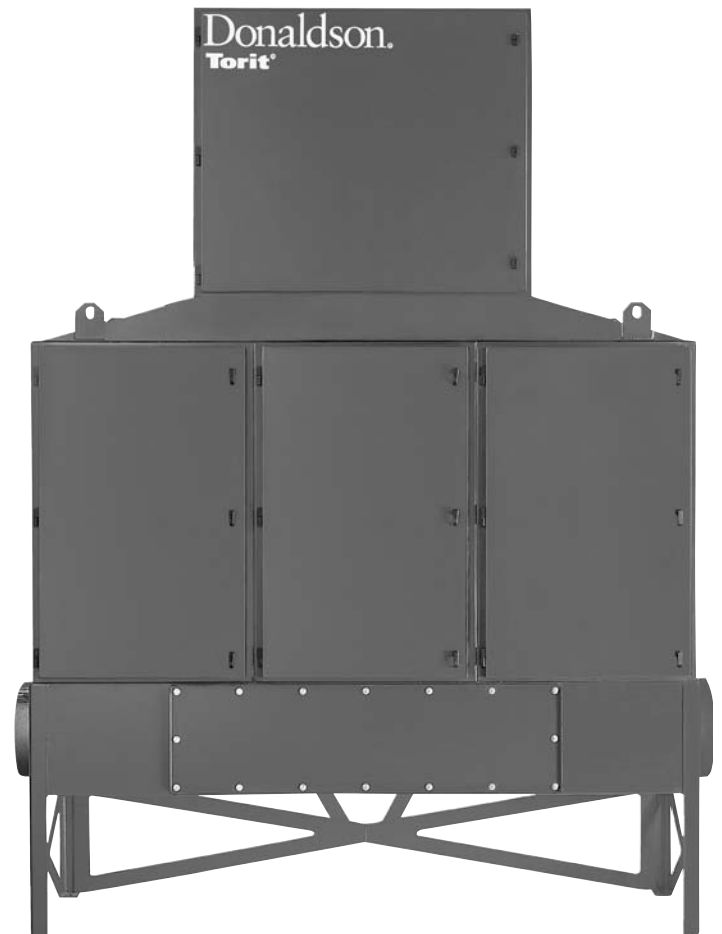


# Modular MediaFilter™ Vertical Series

## Models MDV-1, -2, -3

**Designed to collect, filter, and reclaim mist generated from machines using oil-base, synthetic, semi-synthetic, or water-soluble coolants.**

- Three-stage filtration for high filtration efficiency and optimum filter life.
- Versatile design handles coolant mist, wetted dust and swarf, liquids and smoke in applications up to 6000 cfm.
- High efficiency airfoil fan maximizes performance and reduces operating costs.
- Vertical orientation enhances filter drainage and improves vee-bag filter life.
- Hinged access doors makes filter changeout simple and easy.
- Variety of design layouts and filter choices for both flexibility and expandability.
- Standard Magnehelic®\* gauge indicates when filter maintenance is required.
- Recirculation of clean air reduces the need for costly make-up air.
- Powder coated finish is durable and chemical resistant.
- 10-year warranty



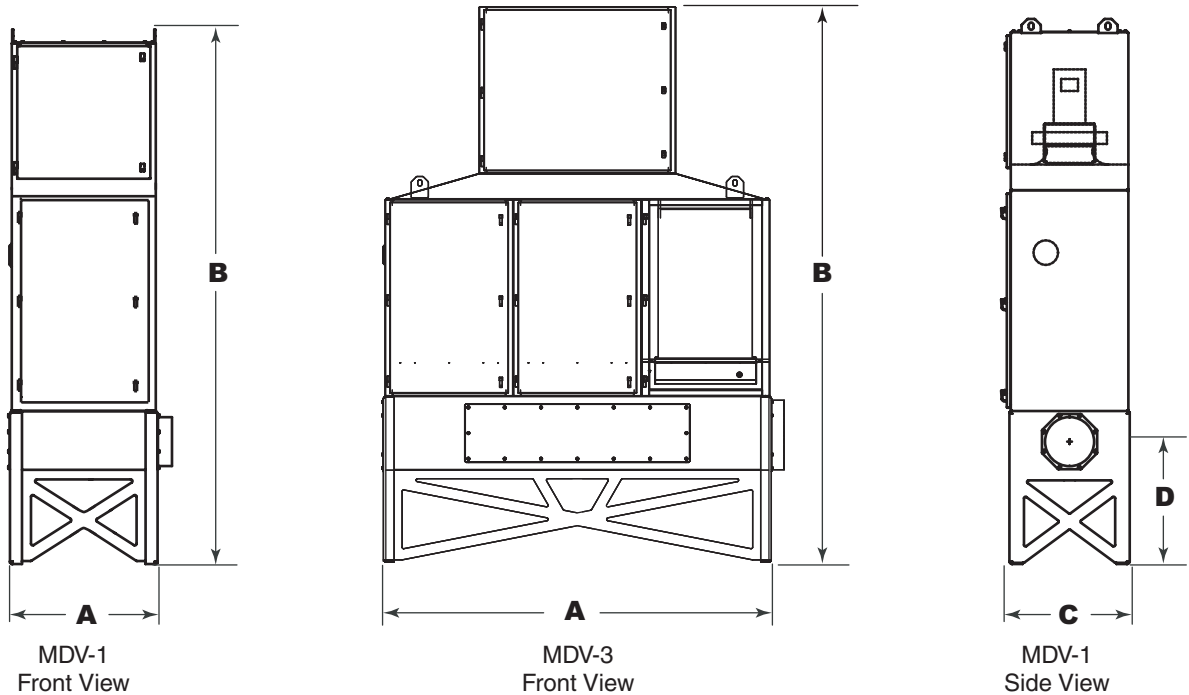
**MDV-3**

**Modular mist collector designed for manufacturers generating coolant, oil, and liquid mist from a wide variety of applications.**

- |               |                  |
|---------------|------------------|
| ■ Grinding    | ■ Metalworking   |
| ■ Laser fumes | ■ Pharmaceutical |
| ■ Machining   | ■ Soldering      |

# Modular MediaFilter™ Vertical Series

## Dimensions & Specifications



Model	Nominal Airflow** (cfm)	Filter Area Primary Filter (ft <sup>2</sup> )	Motor (hp)	Inlet Collar (in)	Dimensions (inches)				Shipping Weight (lbs)
					A	B	C	D	
MDV-1	1000	126	1.5	10	30.8	113.6	25.1	25.5	790
	2000		3						
MDV-2	2000	252	3	14	60.8	127.9	25.1	28.8	1325
	4000		7.5						
MDV-3	3000	378	5	16	90.8	129.9	25.1	29.8	1800
	6000		10						

## Equipment Options

- Prefilters
  - Impinger
  - 4" Multi-Vee
  - First-stage high efficiency filter 24" x 24" x 4"
- 2" P-Trap with optional Y-Strainer assembly
- HEPA or 95% D.O.P. filter module, 24" x 24" x 11.5" with Minihelic®\* gauge
- Sprinkler head

\* Magnehelic and Minihelic are registered trademarks of Dwyer Instruments, Inc.

\*\* Based on clean filters @ 3-4 "wg ESP.



Donaldson Company, Inc.  
 Industrial Air Filtration  
 P.O. Box 1299  
 Minneapolis, MN 55440  
 Tel 800-365-1331(USA)  
 Tel 800-343-3639 (within Mexico)  
 dustmktg@mail.donaldson.com  
 www.donaldsontorit.com

Significantly improve the performance of your collector with genuine Donaldson Torit replacement filters and parts.

**Visit us at [www.donaldsondynamic.com](http://www.donaldsondynamic.com)**

Information in this document is subject to change without notice.

© 2004 Donaldson Co., Inc.  
 Printed in U.S.A. on recycled paper

Data Sheet Modular MediaFilter Vertical (02/06)

