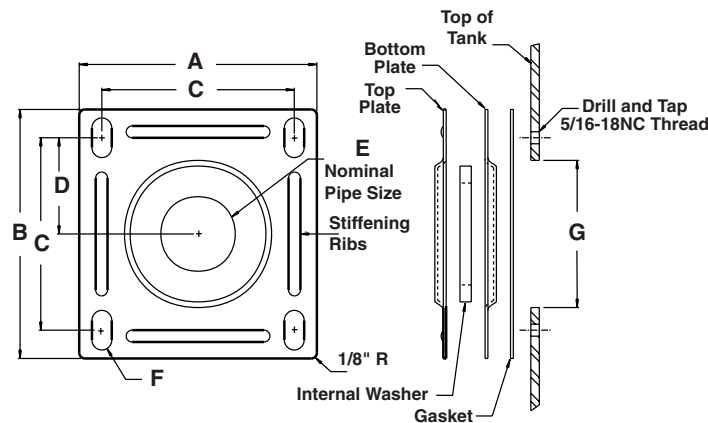
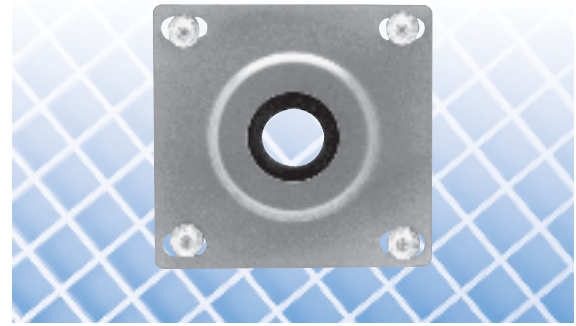




# Flanges

## Features

These Suction and Return Flanges with zinc-plated steel stamping are designed for tank top mounting. Flanges provide a seal to the pipe and reservoir without welding. Each flange provides access to the inside of the reservoir to service in-tank immersed suction strainers and diffusers.



## Suction Flanges

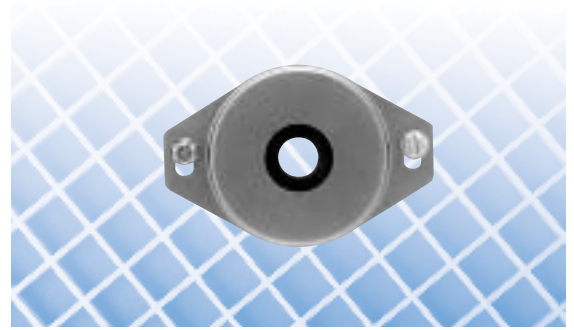
Donaldson Part No.	Nominal E Pipe Size	Dimensions A (in./mm)	B (in./mm)	C (in./mm)	D (in./mm)	F SLOT (in./mm)	G (in./mm)
P562641	1/2"	5.25/133	5.50/140	4.25/108	2.125/54	.38x.62/10x16	4.0/102
P562642	3/4"	5.25/133	5.50/140	4.25/108	2.125/54	.38x.62/10x16	4.0/102
P562643	1"	5.25/133	5.50/140	4.25/108	2.125/54	.38x.62/10x16	4.0/102
P562644	1-1/4"	5.25/133	5.50/140	4.25/108	2.125/54	.38x.62/10x16	4.0/102
P562645	1-1/2"	5.25/133	5.50/140	4.25/108	2.125/54	.38x.62/10x16	4.0/102
P562646	2"	5.25/133	5.50/140	4.25/108	2.125/54	.38x.62/10x16	4.0/102
P562647	2-1/2"	7.50/190	7.50/190	6.25/159	3.125/79	.44x.88/11x22	6.62/168
P562648	3"	7.50/190	7.50/190	6.25/159	3.125/79	.44x.88/11x22	6.62/168

Seal suction lines passing through the top plate of a hydraulic reservoir or similar application

Includes:  
 (1) top plate,  
 (1) internal washer,  
 (1) bottom plate,  
 (1) gasket, and  
 (4) 5/16-18 thread forming screws

## Return Flanges

Donaldson Part No.	Description	Hole Dia. A	Pipe Size
P562634	RF-1369	1-3/16	1/2
P562636	RF-1370	1-3/4	3/4
P562637	RF-1371	1-3/4	1
P562638	RF-1372	2-1/2	1-1/4
P562639	RF-1373	2-1/2	1-1/2
P562640	RF-1374	2-1/2	2



Zinc-plated steel stamping  
 Designed to seal return lines passing through the top plate of a hydraulic reservoir or similar application

Includes:  
 (1) flange,  
 (1) internal washer, and  
 (2) 1/4-20 thread forming screws

