

# FPK02 Highlights

**Working Pressures to:** 6090 *psi*  
42,000 kPa  
420 bar

**Rated Static Burst to:** 9135 *psi*  
63,000 kPa  
630 bar

**Flow Range to:** 25 *gpm*  
95 *l/min*



## Features

The FPK02 is built to withstand pressures upwards of 6000 *psi*. It features a cast iron head and cold-extruded steel housing for ultimate strength and durability. This filter meets the HF2 in-plant automotive specification.

Bypass options include 87 *psid* bypass, bypass with reverse-flow check valve, or no bypass.

Take advantage of our Mix 'n Match system of in-stock heads, housings & cartridges—so you can get exactly what you need! Likewise, choose the media type and configuration that's best for your application. All FPK02 filters contain Synteq®, Donaldson's exclusive synthetic fiber media formulated especially for liquid filtration! (See page 8 for details on Synteq.)

### Beta Rating

- Performance to  $\beta_{6(c)}=1000$

### T-Type Porting Sizes

- SAE-12 O-Ring Ports (standard)

### Assembly Weight

- 4" Assembly: 9.2 lbs / 4.2 kg
- 8" Assembly: 13.2 lbs / 6.0 kg

### Replacement Filter Lengths

- 4" / 101.5mm
- 8" / 203mm

### Standard Bypass Ratings

- 87 *psi* / 600 kPa / 6 bar
- 87 *psi* Bypass with reverse-flow check valve
- No Bypass

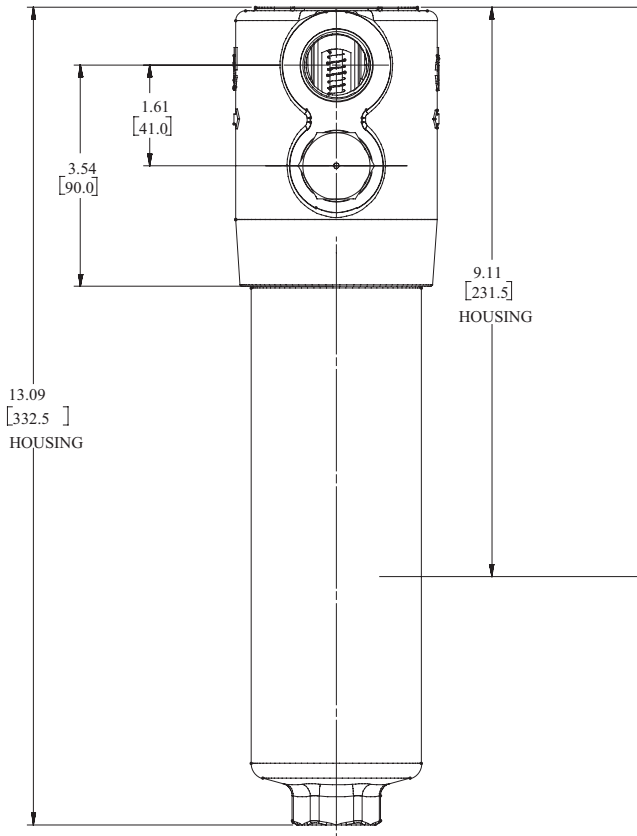
### Operating Temperatures

- -20°F to 250°F / -29°C to 120°C

### Element Collapse Ratings

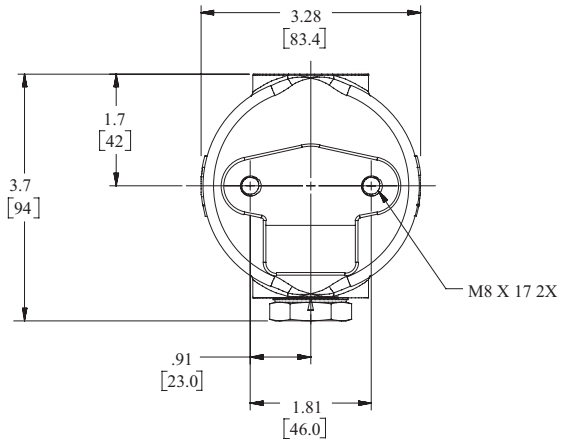
- 290 *psi* / 2000 kPa / 20 bar (standard)
- 3000 *psi* / 20,700 kPa / 207 bar (high collapse)

**Assembly - Side View**

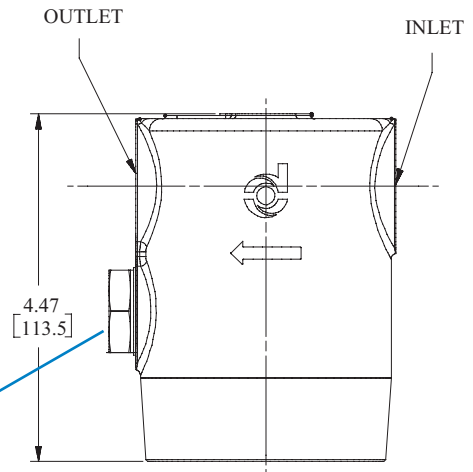


*for:* Servo Valve Circuits  
In-Plant & Mobile Equipment  
Power Steering Circuits  
High Pressure Circuits  
Meets HF2 Specification

**Head - Top View**



**Head - Side View**



**Indicator Plug**  
Remove plug to install visual or electrical indicator.

All dimensions above are shown in inches [millimeters]

High Pressure Filters

# FPK02 Components

## Element Choices

| Media Number | B <sub>x(e)</sub> = 1000 Rating | Length (in./mm) | Part No. | Comments                           |
|--------------|---------------------------------|-----------------|----------|------------------------------------|
| No. 1        | 6µm                             | 4.37/111        | P169429  | BunaN Seal                         |
|              |                                 |                 | P167180  | Fluorocarbon Seal<br>High Collapse |
|              |                                 | 8.12/203        | P167838  | BunaN Seal                         |
|              |                                 |                 | P167182  | Fluorocarbon Seal<br>High Collapse |
| No. 2        | 9µm                             | 4.37/111        | P165041  | BunaN Seal                         |
|              |                                 | 8.12/203        | P165043  | BunaN Seal                         |
| No. 2½       | 10µm                            | 4.37/111        | P165006  | BunaN Seal                         |
|              |                                 |                 | P167181  | Fluorocarbon Seal<br>High Collapse |
|              |                                 | 8.12/203        | P165015  | BunaN Seal                         |
|              |                                 |                 | P167183  | Fluorocarbon Seal<br>High Collapse |
| No. 9        | 23µm                            | 4.37/111        | P165136  | BunaN Seal                         |
|              |                                 | 8.12/203        | P165138  | BunaN Seal                         |

### Filter Notes

- Synteq® filter media, which is in all FPK02 filter cartridges, is compatible with petroleum based fluids, as well as with most phosphate esters, water oil emulsions, and HWCF (high water content fluids).
- If you're filtering petroleum-based oil, filters with seals made of BunaN are appropriate for most applications.
- If you're filtering diester, phosphate ester fluids, water glycol, water/oil emulsions, and HWCF over 150°F/ 83°C, use filters with seals made of fluorocarbon, such as Viton® from DuPont Dow Elastomers, or Fluorel® from 3M Company.
- Donaldson "high collapse" elements, with their steel endcaps and wire-backed media, are rated to withstand up to 3000 psi/ 20,700 kPa before collapsing.

## Housing Choices

| Length (in./cm) | Part No. |
|-----------------|----------|
| 4" element      | P762769  |
| 8" element      | P762770  |

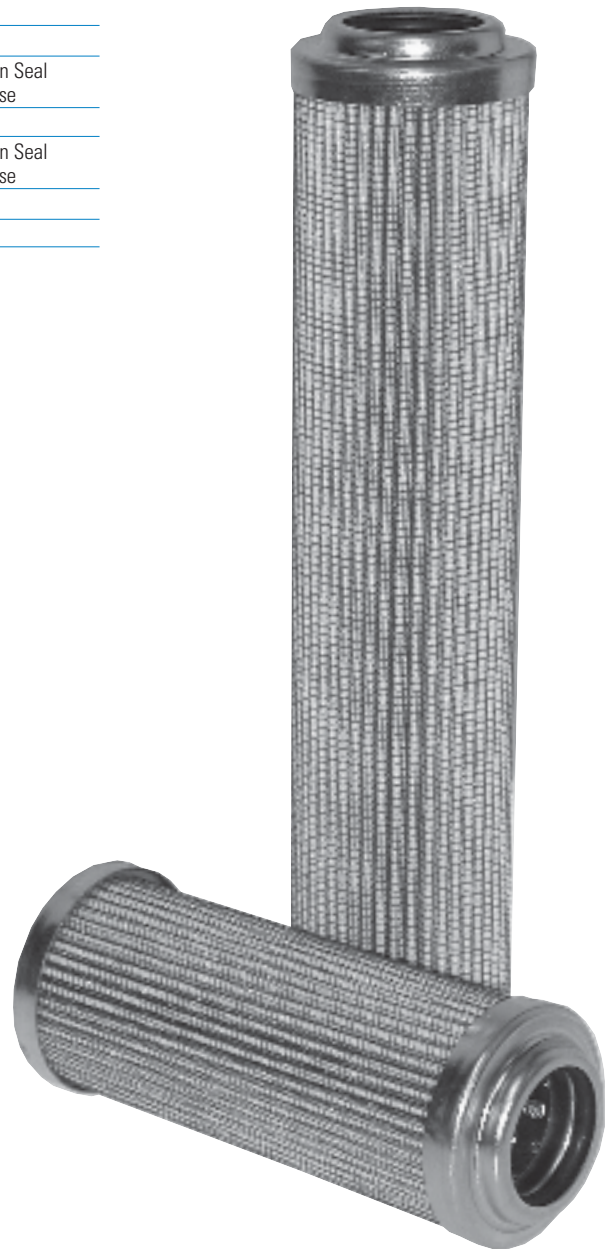
## Head Choices

| Port Size <sup>4</sup> | Bypass Rating | Part No.                                    |
|------------------------|---------------|---|
| 3/4" O-Ring*           | 87 psi Bypass | P762766                                     |
| 3/4" O-Ring*           | 87 psi Bypass | P762767<br>with reverse-flow<br>check valve |
| 3/4" O-Ring*           | No Bypass     | P762768                                     |

NOTE: Port is machined and plugged. Replace plug with indicator of choice: P171945 (visual) or P761056 (electrical). See illustration on opposite page for details.

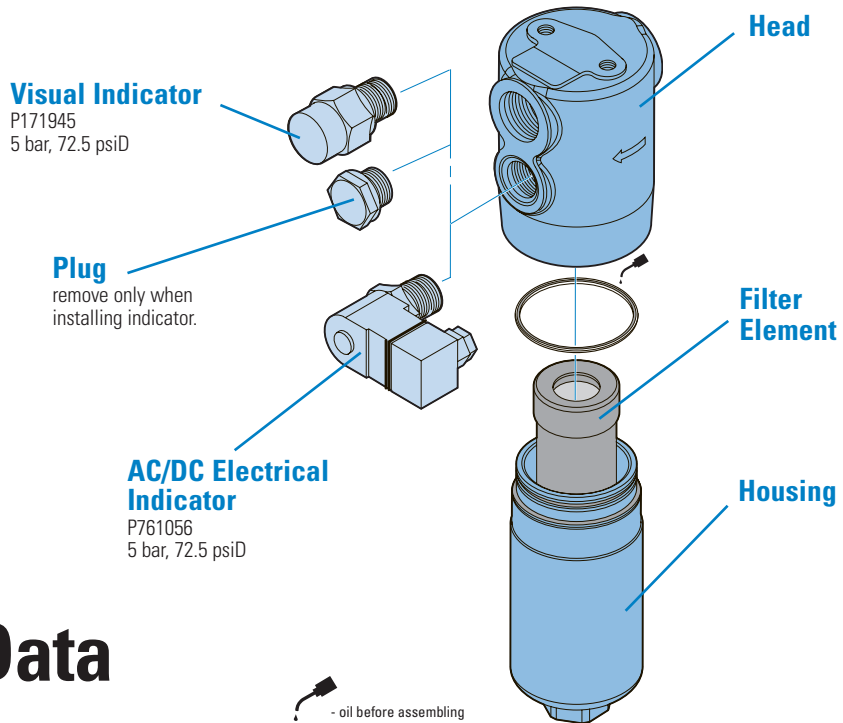


All FPK02 filters contain Synteq®, our synthetic filter media designed especially for liquid filtration. Learn more about Synteq® on page 8!



# FPK02 Service Parts

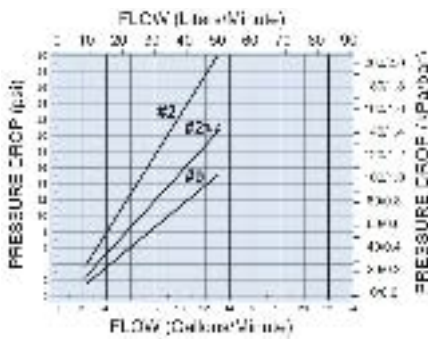
When installing the FPK02 housing onto an installed head, torque it to 15 ft-lbs.



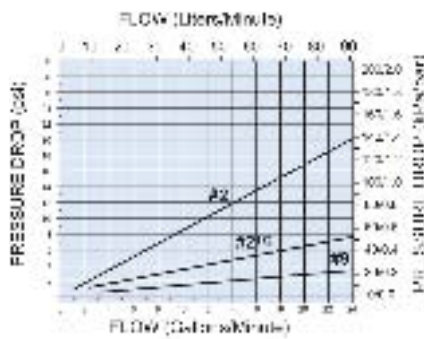
# Performance Data

For a full explanation of how our performance curves were derived, see page 150.

**FPK02 4" Element Only**



**FPK02 8" Element Only**



**FPK02 Housing Only**

