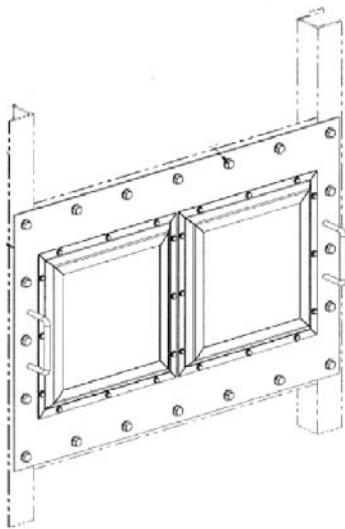


Improve Inspection Access with Lexan Windows and 'Hobbit' Doors

for the transition section of your Donaldson filter house



Lexan Window Set Mounts in Transition

Allows visual inspection of the ducting downstream of the evaporative cooler. These 2-panel windows are constructed of heavy gauge materials and fasteners to withstand ΔP up to 15" -- to ensure safety and durability. Two are recommended, one for each side of the transition.

Kit includes:

- Window set with mounting frame
- Installation hardware & gasket
- Drawings & installation instructions.

'Hobbit' Door Allows Physical Access to Area Behind Evaporative Cooler

Make your life easier with our 30"-high hatch that allows access to the ducting downstream of the evaporative cooler module for physical inspection and service -- without your having to remove media to get there.

Built of all stainless steel, our 'hobbit' door is engineered with a positive seal to preclude leaks. Bolt-in installation, no welding required!

Kit includes:

- Door
- Installation hardware
- Drawings & installation instructions.

Call today!
for pricing & delivery
1-800-431-0555



Here you can see the depth of the 'hobbit' door access hatch.



From the backside. The drift eliminator panels snug up to the sides of the door.



The 30"-high 'hobbit' door opens easily for access to the transition area behind the evaporative cooler media.